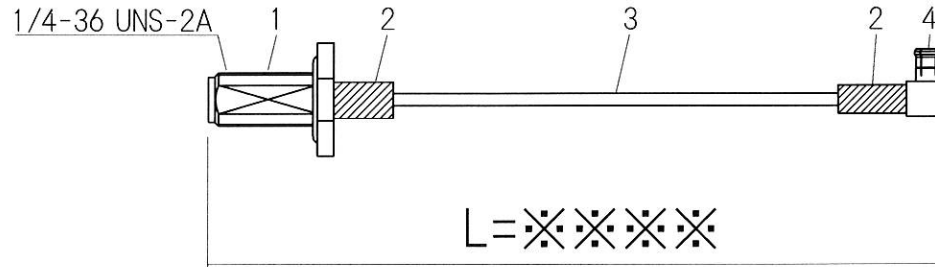
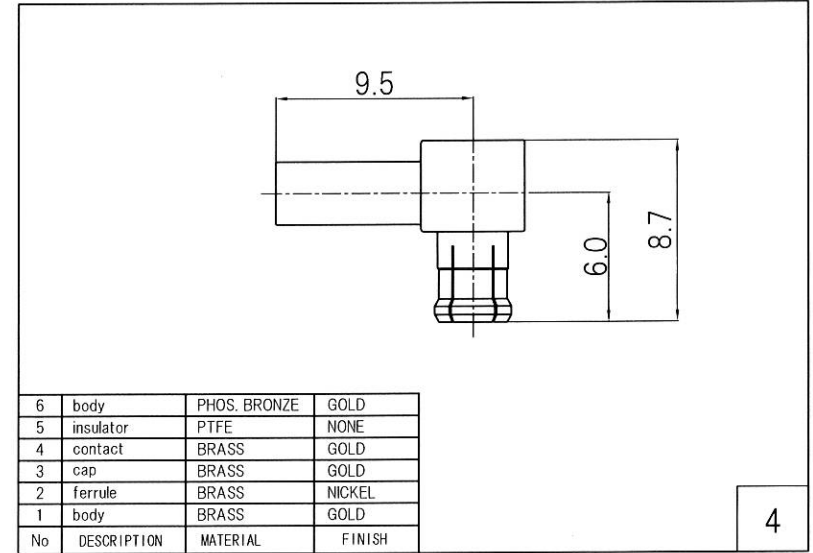
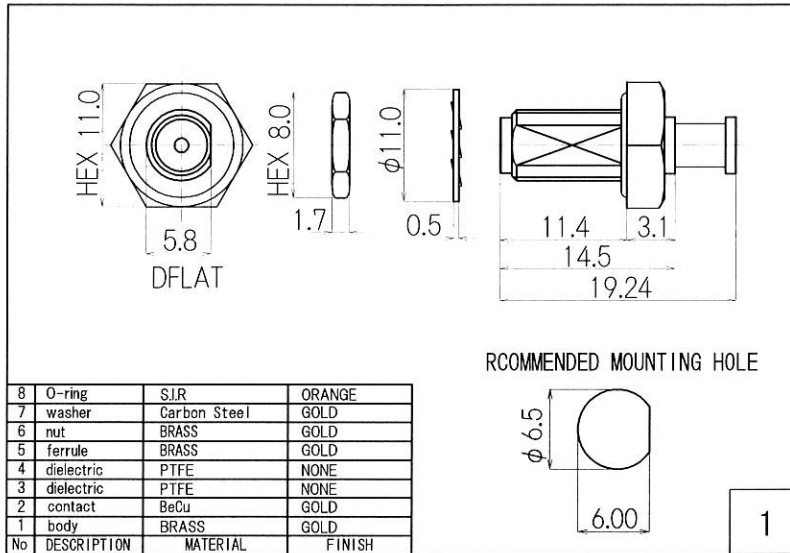


RoHS 2 Support

IP67 Product



4	MCX Plug	MCX-PL-1.32
3	Coaxial Cable	φ 1.32 Coaxial Cable
2	Heat Shrink Tube	B2 Type
1	SMA Jack	SMA-RSFB-066(Au)
No	TYPE	P/N

Drawn	Checked	Approved	Unte
Y.OE	Y.OE	N.IKEO	mm
2018.5.5	2018.5.5	2018.5.5	A4
日本エレパーツ株式会社 NIHON ELEPARTS CO.,LTD.			

HP Drawings		— / —
NAME	SMAJBG-MCXPL1.32B	
	-L = ※※※※	

This product is a possibility of change without notice.