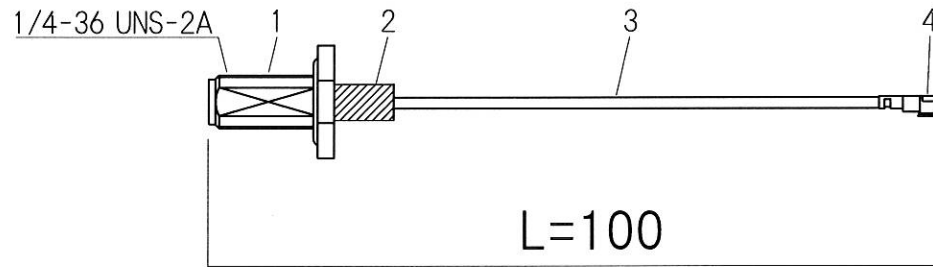
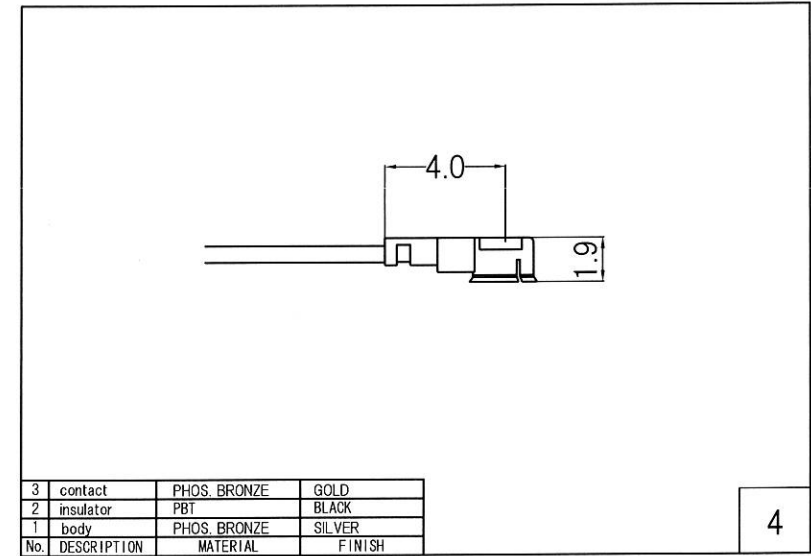
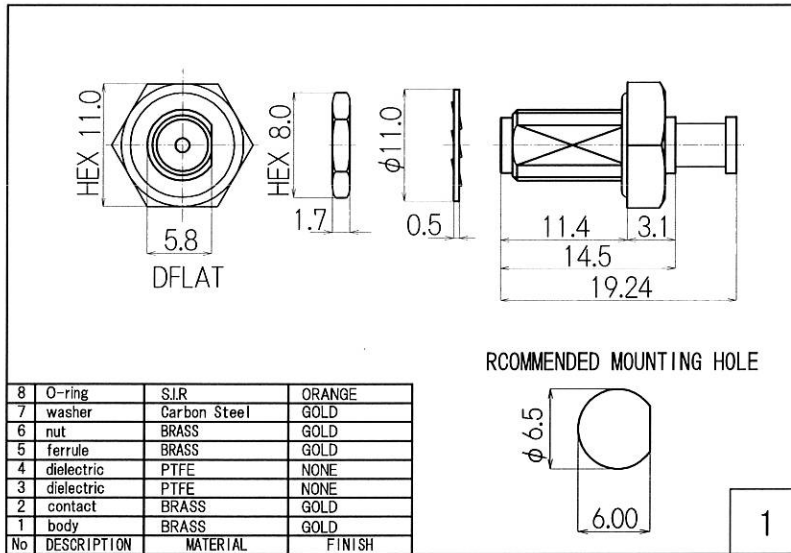


RoHS 2 Support

IP67 Product



4	U.FL Plug	U.FL-LP-066
3	Coaxial Cable	$\phi 1.32$ Coaxial Cable
2	Heat Shrink Tube	B2 Type
1	SMA Jack	R-SMA-RSFB-066(Au)
No.	TYPE	P/N

Drawn	Checked	Approved	Unte
Y.OE	Y.OE	NIKEO	mm
2018.5.5	2018.5.5	2018.5.5	A4
日本エレパーツ株式会社 NIHON ELEPARTS CO.,LTD.			

HP Drawings		/-
R-SMAJBG-U.FL1.32B		
-L=100		

This product is a possibility of change without notice.