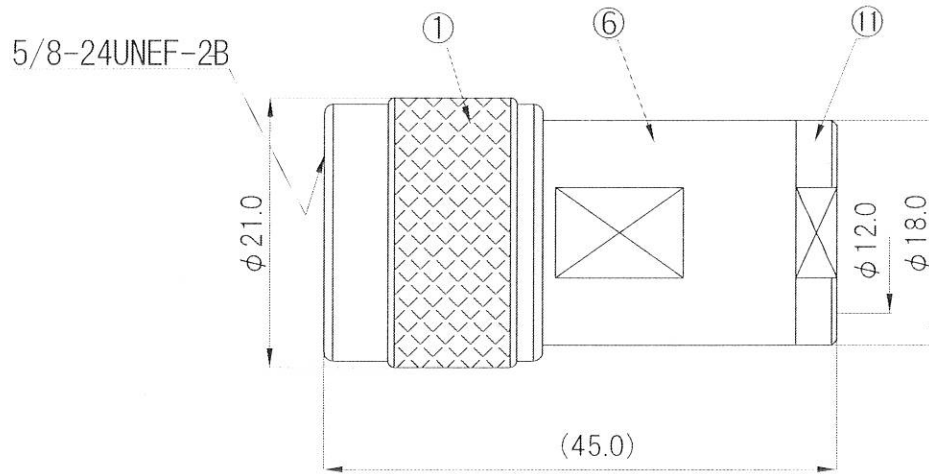


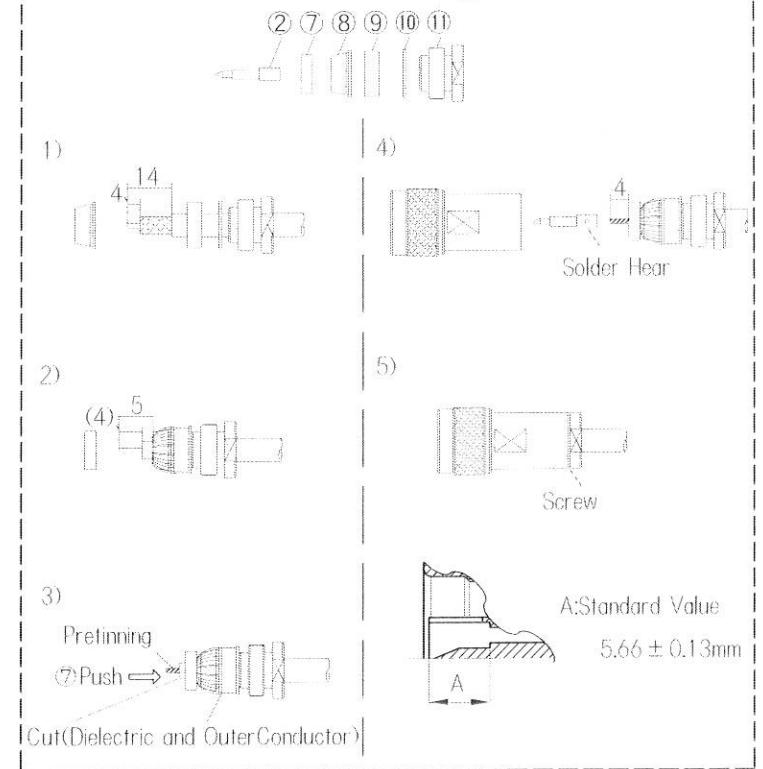
RoHS

REACH

CFSI



Connection Diagram



Electrical

Impedance : 50 Ω  
 Working Frequency Range : DC to 6GHz  
 V.S.W.R. : 1.1+0.025f or Lower ( f : Frequency at ~6GHz)  
 Insertion Loss : 0.1√f dB or Lower ( f : Frequency at ~6GHz)  
 Proof voltage : AC1,000V RMS  
 Insulation resistance : 5,000MΩ or More  
 Contact resistance : 2.0mΩ or Lower  
 Standard : JIS-C-5411, MIL-C-39012

|      |              |          |        |
|------|--------------|----------|--------|
| (1)  | End Nut      | Brass    | Nickel |
| (10) | Washer       | Brass    | Nickel |
| (9)  | Gasket B     | Nitrile  | Red    |
| (8)  | Clamp        | Brass    | Nickel |
| (7)  | Bushing      | Brass    | Nickel |
| (6)  | Body         | Brass    | Nickel |
| (5)  | Dielectric   | PTFE     | None   |
| (4)  | Ring         | P.Bronze | Nickel |
| (3)  | Gasket A     | Nitrile  | Red    |
| (2)  | Contact      | Brass    | Gold   |
| (1)  | Coupling Nut | Brass    | Nickel |
| No.  | Description  | Material | Finish |

|  |         |       |      |       |                              |           |
|--|---------|-------|------|-------|------------------------------|-----------|
| Approved                               | Checked | Drawn | Unit | Scale | Title:                       | Sheet     |
|  |         |       | mm   | —     | N ST.CLAMP<br>MALE CONNECTOR | 1/1       |
|  |         |       |      |       | DWG.No.                      | N-PS-8DFB |
| 日本エレパーツ株式会社<br>NIHON ELEPARTS CO.,LTD. |         |       |      |       |                              |           |