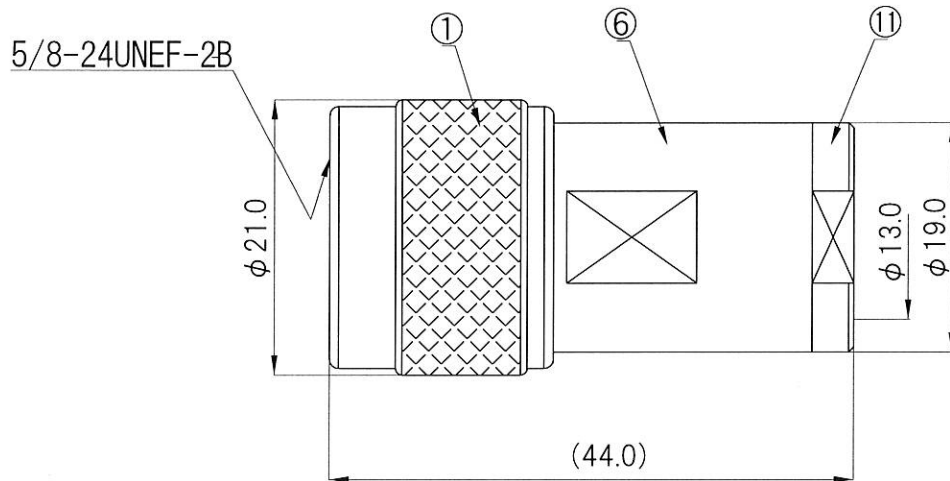


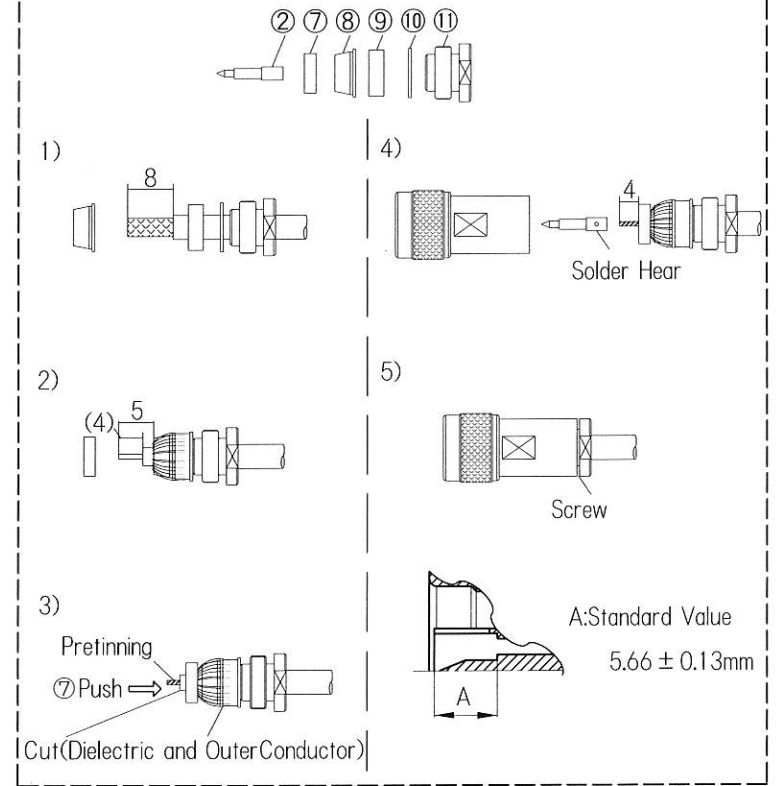
RoHS

REACH

CFSI



Connection Diagram



Electrical

Impedance : 50 Ω
 Working Frequency Range : DC to 6GHz
 V.S.W.R. : 1.1+0.025f or Lower (f : Frequency at ~6GHz)
 Insertion Loss : 0.1√f dB or Lower (f : Frequency at ~6GHz)
 Proof voltage : AC1,000V RMS
 Insulation resistance : 5,000M Ω or More
 Contact resistance : 2.0m Ω or Lower
 Standard : JIS-C-5411, MIL-C-39012

| | | | |
|-----|--------------|----------|--------|
| ⑪ | End Nut | Brass | Nickel |
| ⑩ | Washer | Brass | Nickel |
| ⑨ | Gasket B | Nitrile | Red |
| ⑧ | Clamp | Brass | Nickel |
| ⑦ | Bushing | Brass | Nickel |
| ⑥ | Body | Brass | Nickel |
| ⑤ | Dielectric | PTFE | None |
| ④ | Ring | P.Bronze | Nickel |
| ③ | Gasket A | Nitrile | Red |
| ② | Contact | Brass | Gold |
| ① | Coupling Nut | Brass | Nickel |
| No. | Description | Material | Finish |

| | | | | | | |
|--|--------------------------------------|------------------------------------|------------|-------------|--|--------------|
| Approved エレパーツ '17.09.01. 深田A | Checked エレパーツ '17.09.01. 木内 | Drawn エレパーツ '17.09.01. 大島 | Unit mm | Scale A4 | Title: N ST.CLAMP MALE CONNECTOR | Sheet 1/1 |
| 日本エレパーツ株式会社 NIHON ELEPARTS CO.,LTD. | | | | | DWG.No. N-PS-8D2W | |