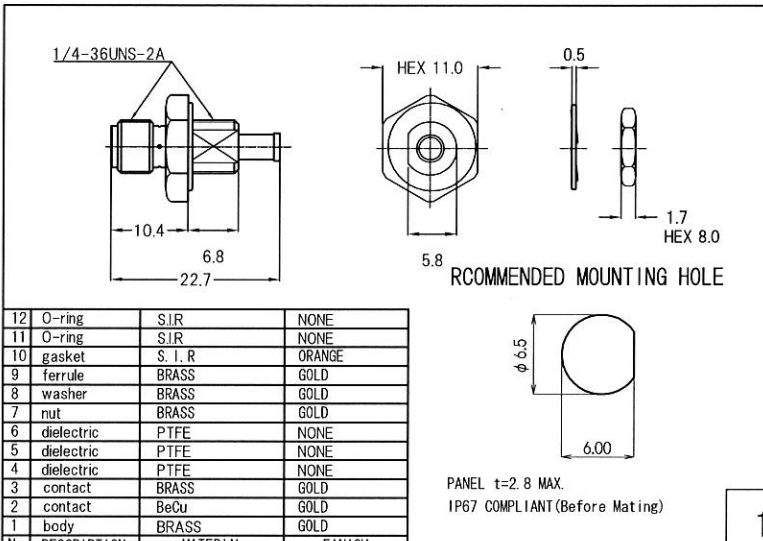
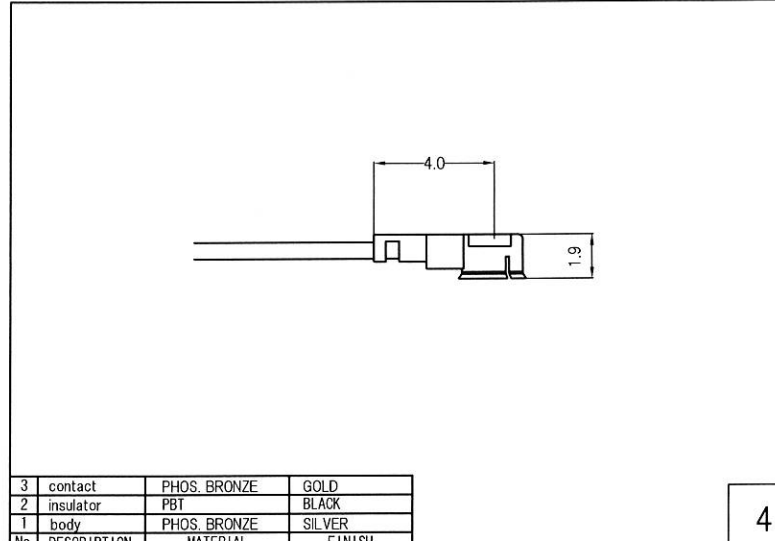


RoHS 2 Support

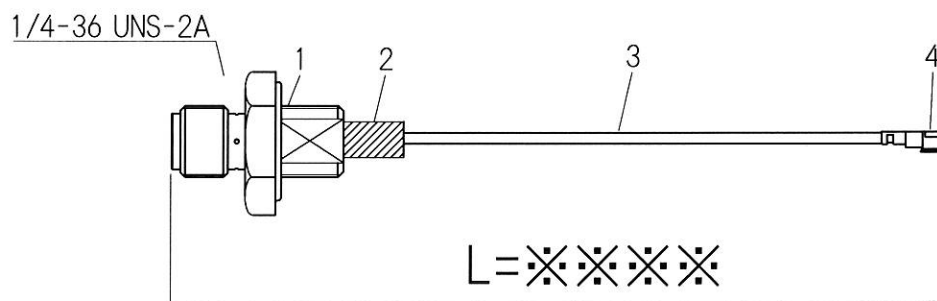
IP67 Product



No.	DESCRIPTION	MATERIAL	FINISH
12	O-ring	S.I.R	NONE
11	O-ring	S.I.R	NONE
10	gasket	S. I. R	ORANGE
9	ferrule	BRASS	GOLD
8	washer	BRASS	GOLD
7	nut	BRASS	GOLD
6	dielectric	PTFE	NONE
5	dielectric	PTFE	NONE
4	dielectric	PTFE	NONE
3	contact	BRASS	GOLD
2	contact	BeCu	GOLD
1	body	BRASS	GOLD



No.	DESCRIPTION	MATERIAL	FINISH
3	contact	PHOS. BRONZE	GOLD
2	insulator	PBT	BLACK
1	body	PHOS. BRONZE	SILVER



4	U.FL Plug	U.FL-LP-066
3	Coaxial Cable	φ 1.32 Coaxial Cable
2	Heat Shrink Tube	B2 Type
1	SMA Jack	SMA-RSB-1.32G
No.	TYPE	P/N

Drawn	Checked	Approved	Unte
Y.OE	Y.OE	N.IKEO	mm
2018.5.5	2018.5.5	2018.5.5	A4
日本エレパーツ株式会社 NIHON ELEPARTS CO.,LTD.			

HP Drawings		/-
NAME	SMARBG-U.FL1.32B	
	-L=※※※※	

This product is a possibility of change without notice.