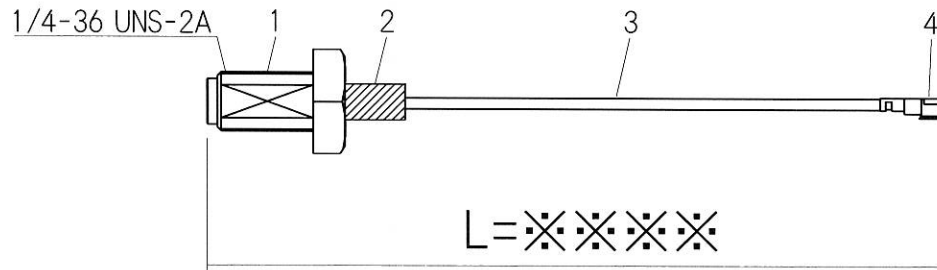
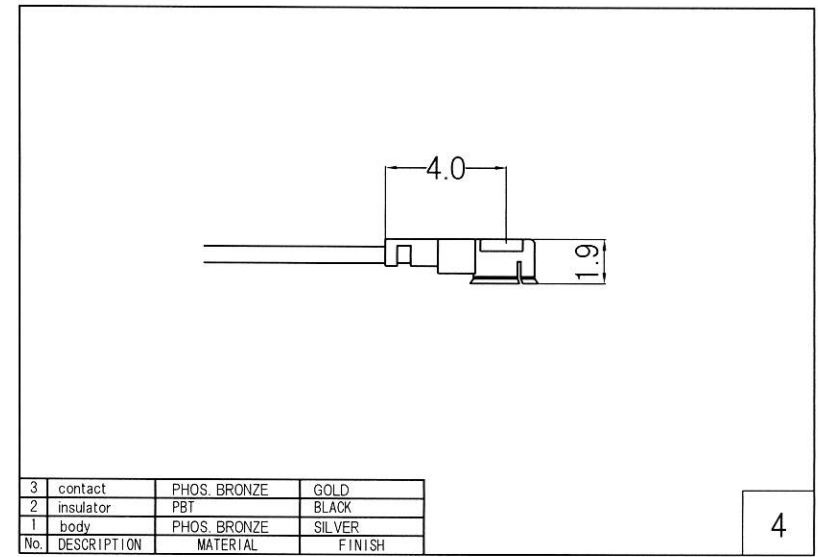
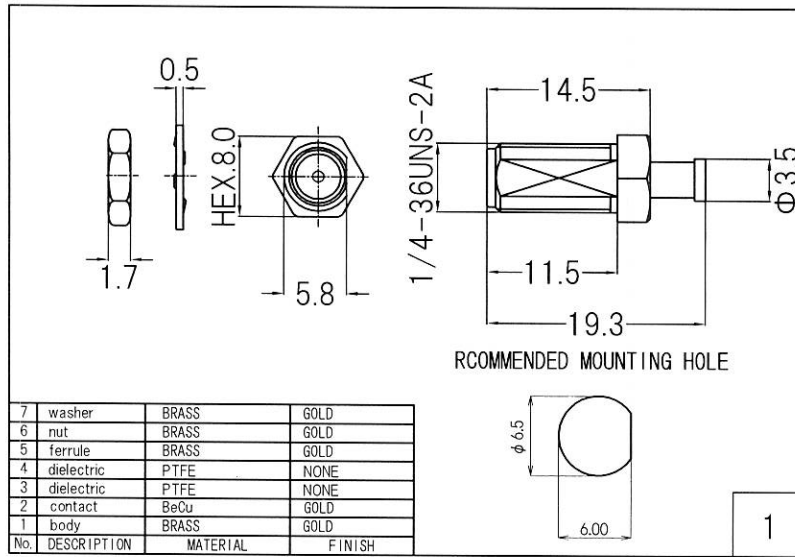


RoHS 2 Support



4	U.FL Plug	U.FL-LP-066
3	Coaxial Cable	$\phi$ 1.32 Coaxial Cable
2	Heat Shrink Tube	B2 Type
1	SMA Jack	SMA-RSF-083G
No	TYPE	P/N

Drawn	Checked	Approved	Unte
Y.OE	Y.OE	N.IKEO	mm
2018.5.5	2018.5.5	2018.5.5	A4
日本エレパーツ株式会社 NIHON ELEPARTS CO.,LTD.			NAME

HP Drawings

SMAJG-U.FL1.32B

-L =  $\times \times \times \times$

This product is a possibility of change without notice.