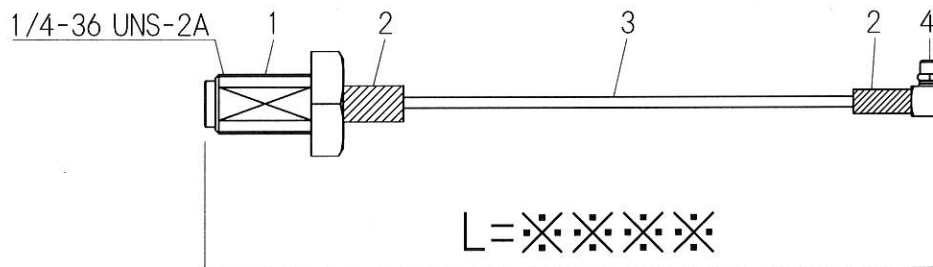
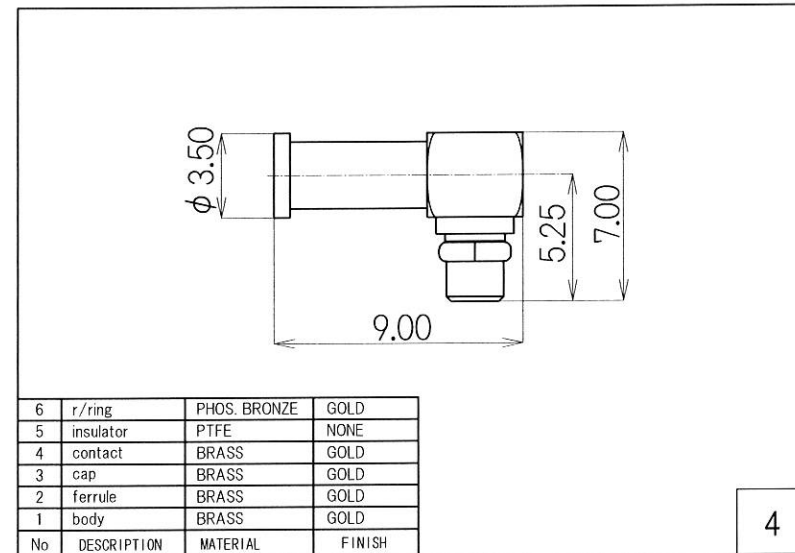
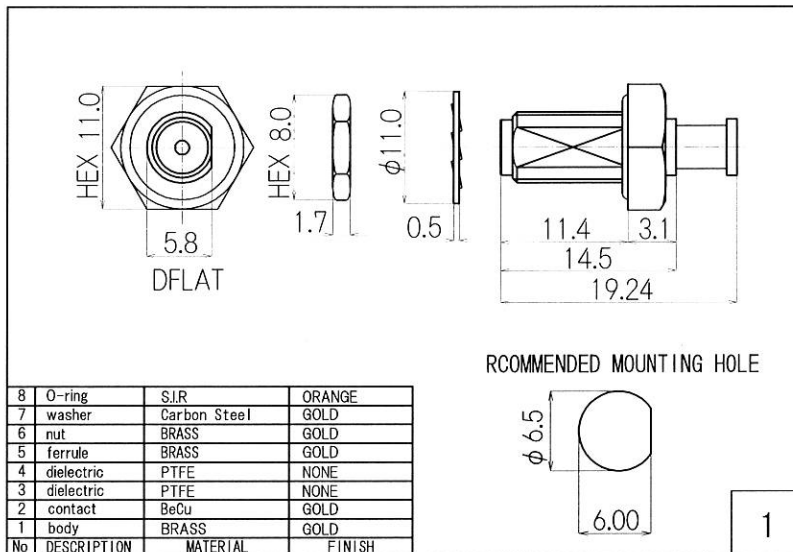


RoHS 2 Support

IP67 Product



4	MMCX Plug	MMCX-PL-1.32
3	Coaxial Cable	$\phi 1.32$ Coaxial Cable
2	Heat Shrink Tube	B2 Type
1	SMA Jack	SMA-RSFB-066(Au)
No	TYPE	P/N

Drawn	Checked	Approved	Unite
Y.OE	Y.OE	N.IKEO	mm
2018.5.5	2018.5.5	2018.5.5	A4
日本エレパーツ株式会社 NIHON ELEPARTS CO.,LTD.			

HP Drawings		/-
SMAJBG-MMCXPL1.32B		
-L = $\times \times \times \times$		

This product is a possibility of change without notice.