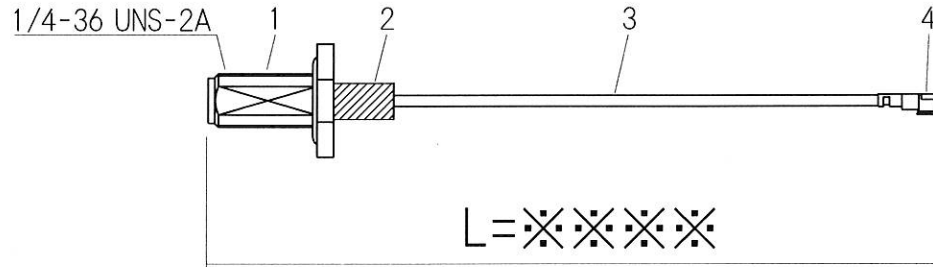
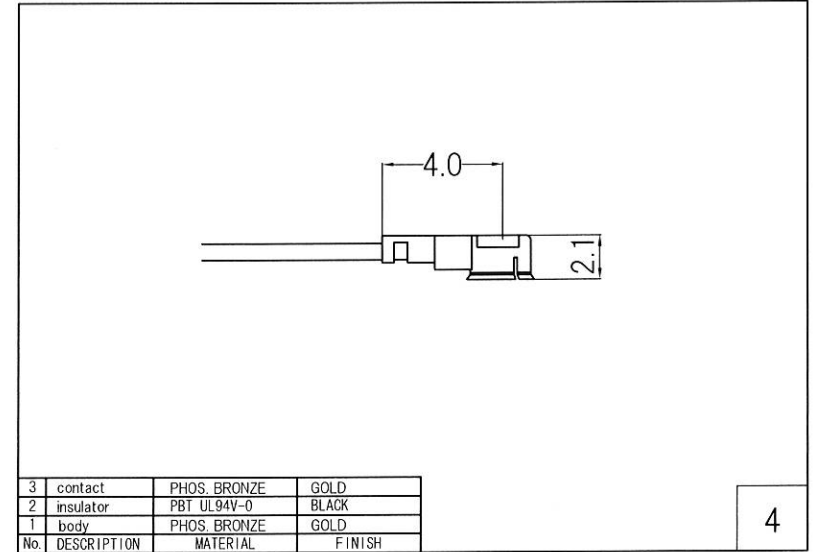
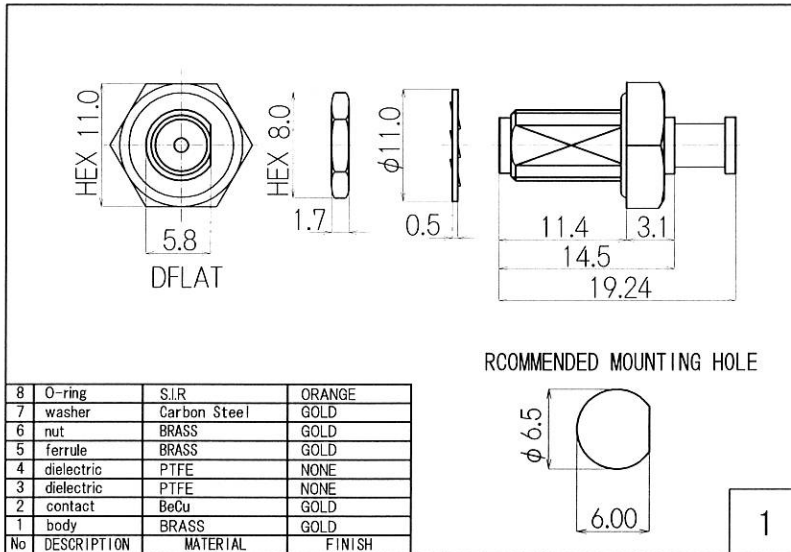


RoHS 2 Support

IP67 Product



| | | |
|-----|------------------|----------------------|
| 4 | MHF 1 Plug | 20278-112R-13 |
| 3 | Coaxial Cable | φ 1.13 Coaxial Cable |
| 2 | Heat Shrink Tube | B2 Type |
| 1 | SMA Jack | SMA-RSFB-066(Au) |
| No. | TYPE | P/N |

| | | | |
|--|----------|----------|------|
| Drawn | Checked | Approved | Unte |
| Y.OE | Y.OE | N.IKEO | mm |
| 2018.5.5 | 2018.5.5 | 2018.5.5 | A4 |
| 日本エレパーツ株式会社 NIHON ELEPARTS CO.,LTD. | | | |

| | | |
|-----------------|--|-------|
| HP Drawings | | — / — |
| SMAJBG-MHF1.13B | | |
| -L = ※※※※ | | |

This product is a possibility of change without notice.