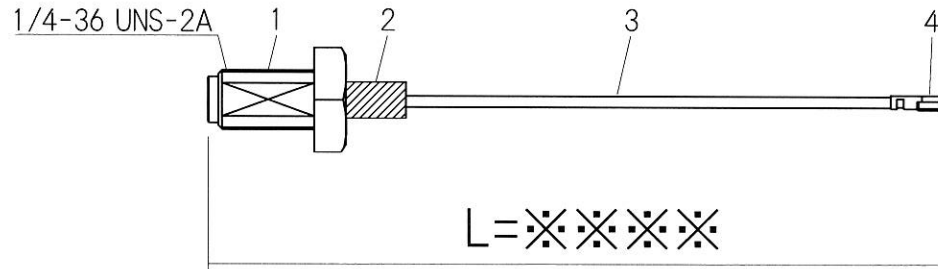
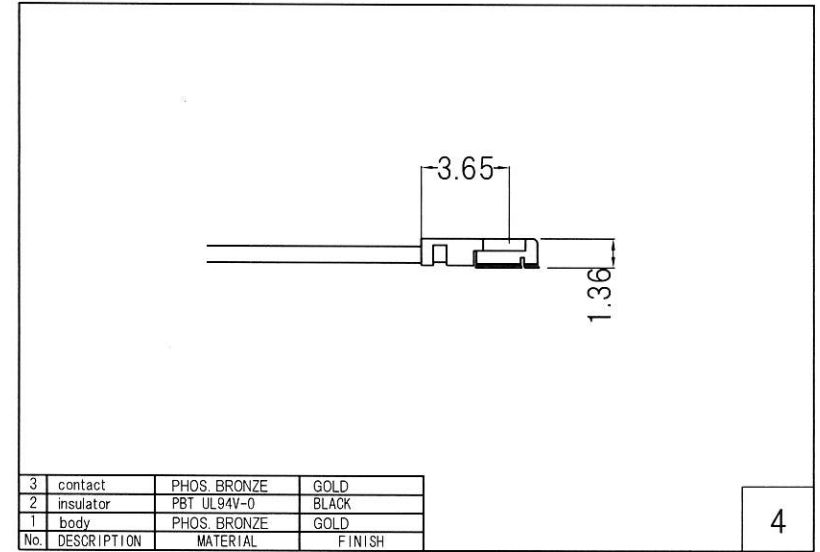
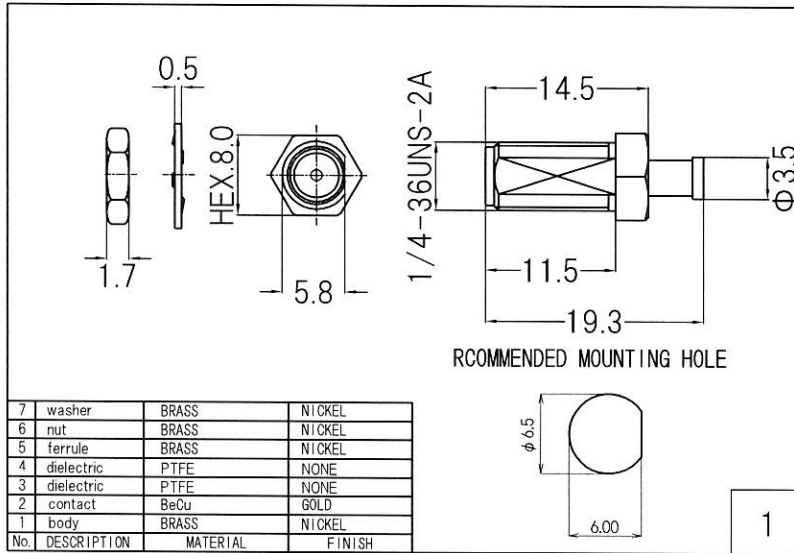


RoHS 2 Support



| 4 | MHF 4 Plug | 20632-001R-37 |
|----|------------------|---------------------------|
| 3 | Coaxial Cable | ϕ 1.37 Coaxial Cable |
| 2 | Heat Shrink Tube | B2 Type |
| 1 | SMA Jack | SMA-RSF-083NI |
| No | TYPE | P/N |

| | | | |
|--|----------|----------|------|
| Drawn | Checked | Approved | Unte |
| Y.OE | Y.OE | N.IKEO | mm |
| 2018.5.5 | 2018.5.5 | 2018.5.5 | A4 |
| 日本エレパーツ株式会社 NIHON ELEPARTS CO.,LTD. | | | |
| NAME | | | |

| | | |
|------------------------------------|--|----|
| HP Drawings | | /- |
| SMAJ-MHF4-1.37B | | |
| -L = $\times \times \times \times$ | | |

This product is a possibility of change without notice.