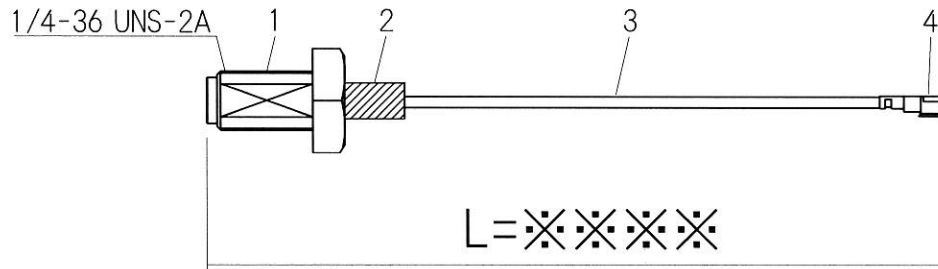
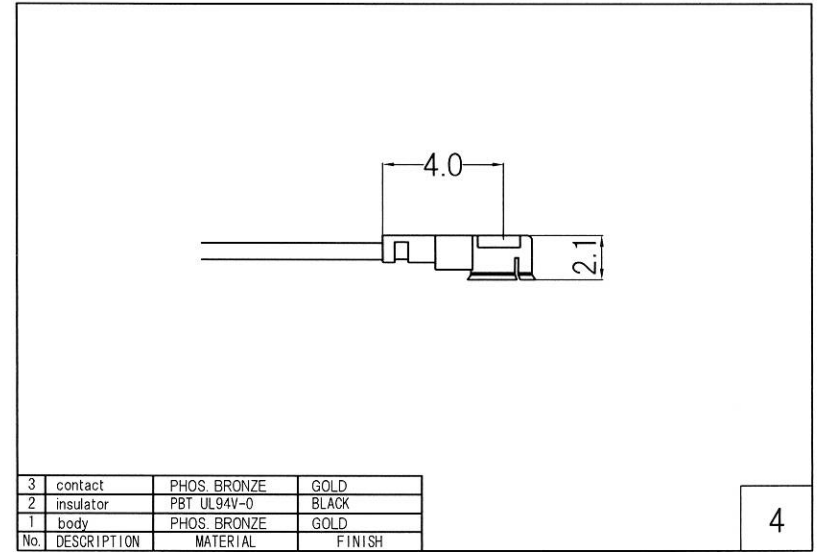
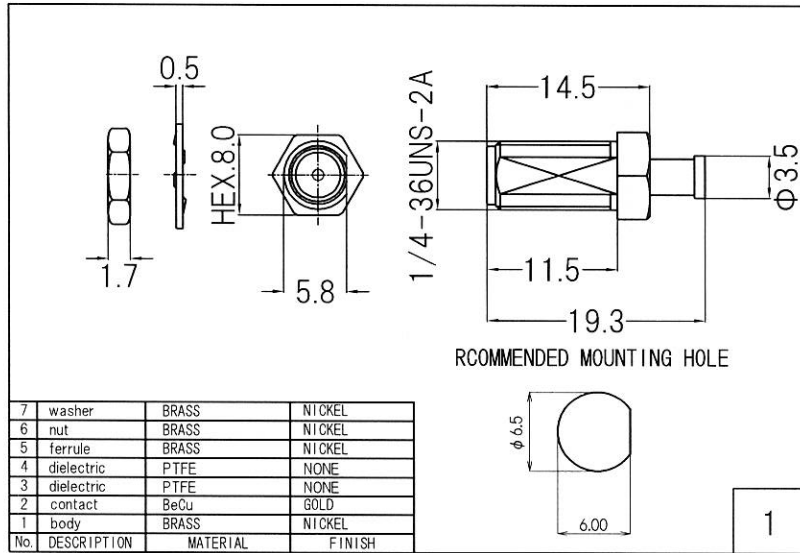


RoHS 2 Support



4	MHF 1 Plug	20278-112R-32
3	Coaxial Cable	$\phi 1.32$ Coaxial Cable
2	Heat Shrink Tube	B2 Type
1	SMA Jack	SMA-RSF-083NI
No.	TYPE	P/N

Drawn	Checked	Approved	Unte
Y.OE	Y.OE	N.IKEO	mm
2018.5.5	2018.5.5	2018.5.5	A4
日本エレパーツ株式会社 NIHON ELEPARTS CO.,LTD.			

HP Drawings		/-
SMAJ-MHF1.32B		-L = $\times \times \times \times$
NAME		

This product is a possibility of change without notice.