

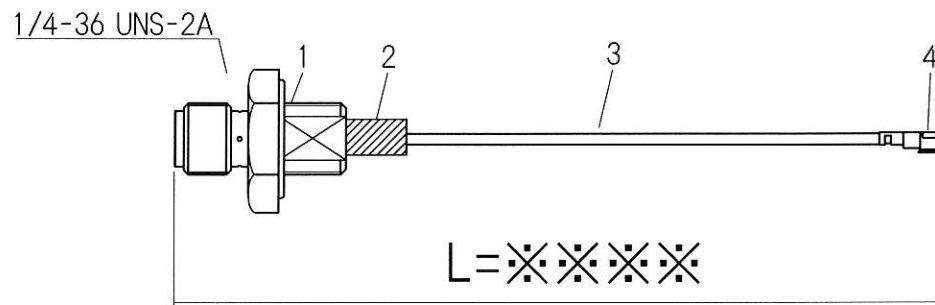
RoHS 2 Support

IP67 Product

12	O-ring	S.I.R	NONE
11	O-ring	S.I.R	NONE
10	gasket	S.I.R	ORANGE
9	ferrule	BRASS	NICKEL
8	washer	BRASS	NICKEL
7	nut	BRASS	NICKEL
6	dielectric	PTFE	NONE
5	dielectric	PTFE	NONE
4	dielectric	PTFE	NONE
3	contact	BRASS	GOLD
2	contact	BeCu	GOLD
1	body	BRASS	NICKEL
No.	DESCRIPTION	MATERIAL	FINISH

PANEL t=2.8 MAX.  
IP67 COMPLIANT (Before Mating)

3	contact	PHOS. BRONZE	GOLD
2	insulator	PBT UL94V-0	BLACK
1	body	PHOS. BRONZE	GOLD
No.	DESCRIPTION	MATERIAL	FINISH



4	MHF 1 Plug	20278-112R-13
3	Coaxial Cable	φ 1.13 Coaxial Cable
2	Heat Shrink Tube	B2 Type
1	SMA Jack	R-SMA-RSB-1.32
No.	TYPE	P/N

Drawn	Checked	Approved	Unte
Y.OE	Y.OE	N.IKEO	mm
2018.5.5	2018.5.5	2018.5.5	A4
日本エレパーツ株式会社 NIHON ELEPARTS CO.,LTD.			

HP Drawings		—/—
R-SMARB-MHF1.13B		-L = ※※※※

This product is a possibility of change without notice.