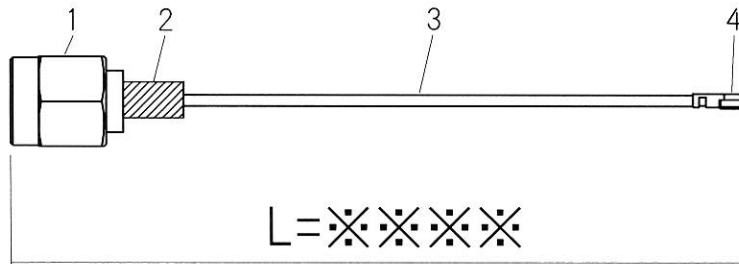
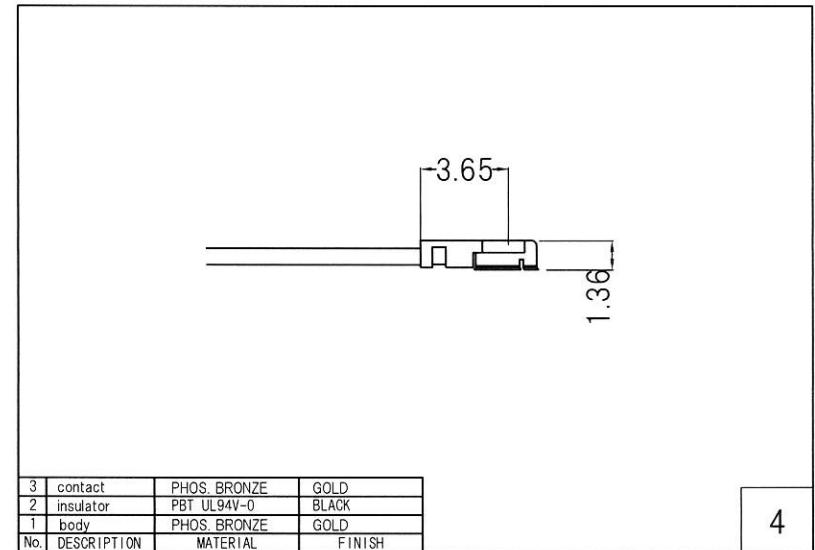
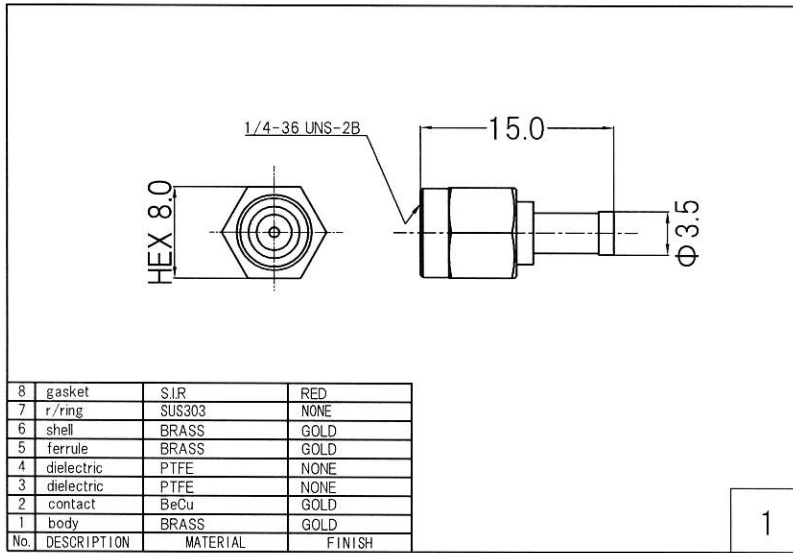


RoHS 2 Support



L = ※※※※

This product is a possibility of change without notice.

Drawn	Checked	Approved	Unte
Y.OE	Y.OE	N.IKEO	mm
2018.5.5	2018.5.5	2018.5.5	A4
日本エレパーツ株式会社 NIHON ELEPARTS CO.,LTD.			NAME

4	MHF 4 Plug	20632-001R-37
3	Coaxial Cable	φ 1.37 Coaxial Cable
2	Heat Shrink Tube	B2 Type
1	SMA Plug	R-SMA-PS-08G
No.	TYPE	P/N

HP Drawings

R-SMAPG-MHF4-1.37B

-L = ※※※※