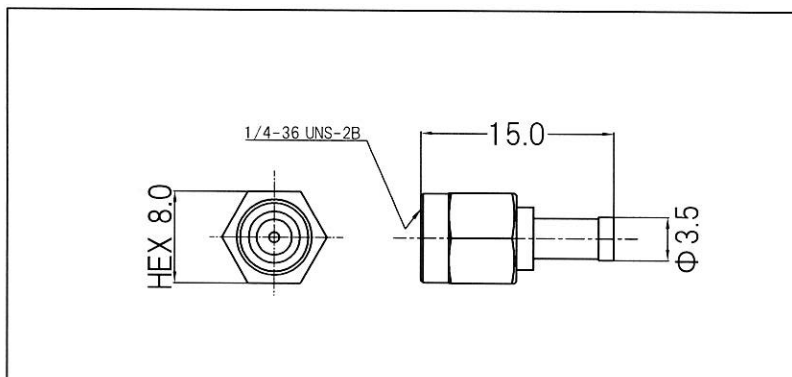
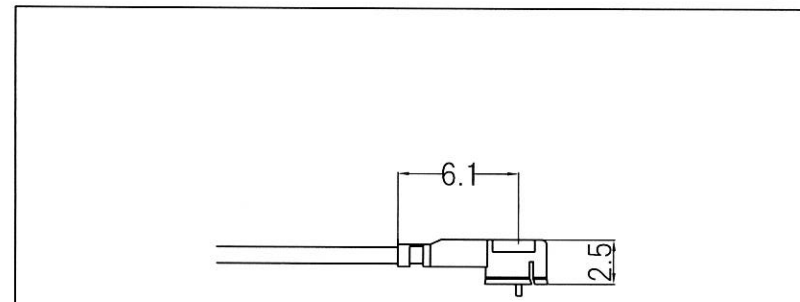


RoHS 2 Support



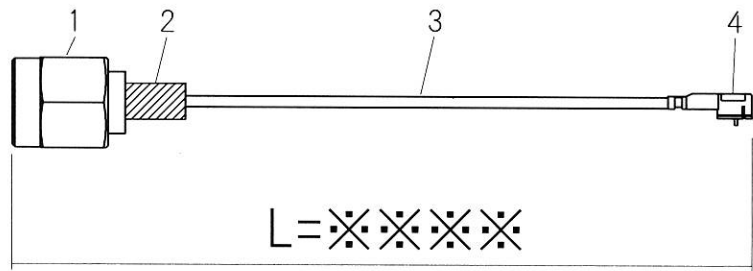
8	gasket	SIR	RED
7	r/ring	SUS303	NONE
6	shell	BRASS	NICKEL
5	ferrule	BRASS	GOLD
4	dielectric	PTFE	NONE
3	dielectric	PTFE	NONE
2	contact	BeCu	GOLD
1	body	BRASS	NICKEL
No.	DESCRIPTION	MATERIAL	FINISH

1



3	contact	PHOS. BRONZE	GOLD
2	insulator	6T NYLON	BLACK
1	body	PHOS. BRONZE	GOLD
No.	DESCRIPTION	MATERIAL	FINISH

4



4	MS156C Plug	MS156C-LP-068
3	Coaxial Cable	φ 1.13 Coaxial Cable
2	Heat Shrink Tube	B2 Type
1	SMA Plug	R-SMA-PS-08
No.	TYPE	P/N

Drawn	Checked	Approved	Unte
Y.OE	Y.OE	N.IKEO	mm
2018.5.5	2018.5.5	2018.5.5	A4
日本エレパーツ株式会社 NIHON ELEPARTS CO.,LTD.			

HP Drawings		— / —
NAME	R-SMAP-MS156CG	
	-L=※※※※	

This product is a possibility of change without notice.