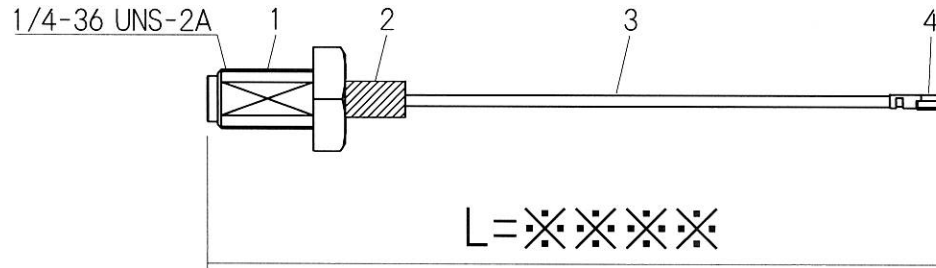
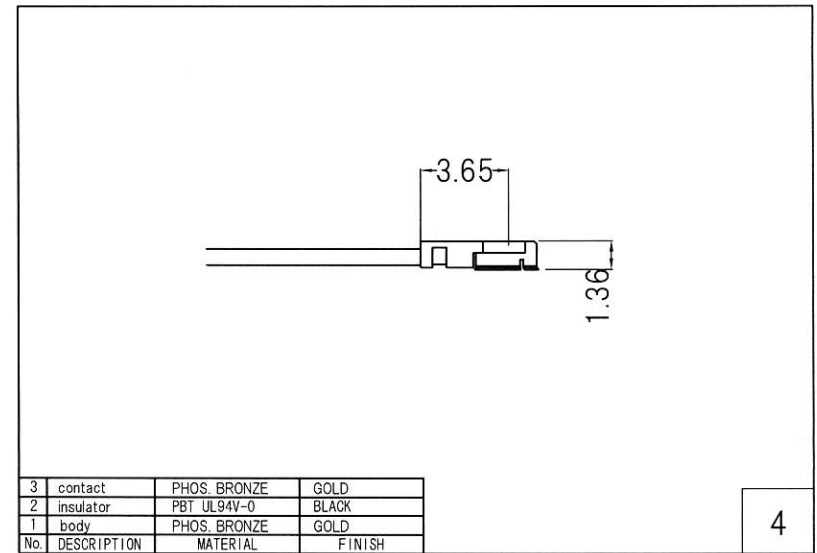
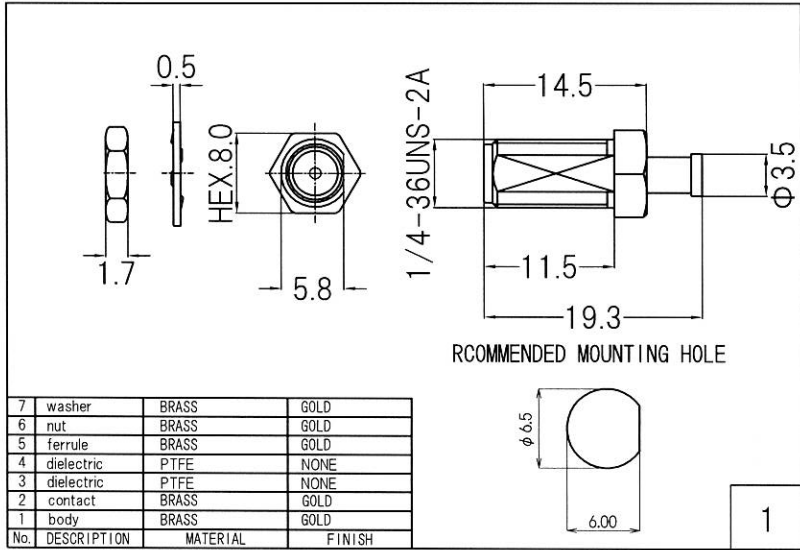


RoHS 2 Support



4	MHF 4 Plug	20632-001R-37
3	Coaxial Cable	$\phi 1.37$ Coaxial Cable
2	Heat Shrink Tube	B2 Type
1	SMA Jack	R-SMA-RSF-083G
No.	TYPE	P/N

Drawn	Checked	Approved	Unte
Y.OE	Y.OE	NIKEO	mm
2018.5.5	2018.5.5	2018.5.5	A4
日本エレパーツ株式会社 NIHON ELEPARTS CO.,LTD.			

HP Drawings		/-
R-SMAJG-MHF4-1.37B		-L = XXXXXXXX

This product is a possibility of change without notice.