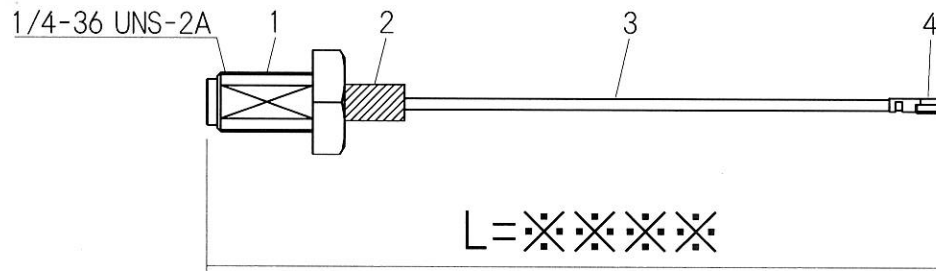
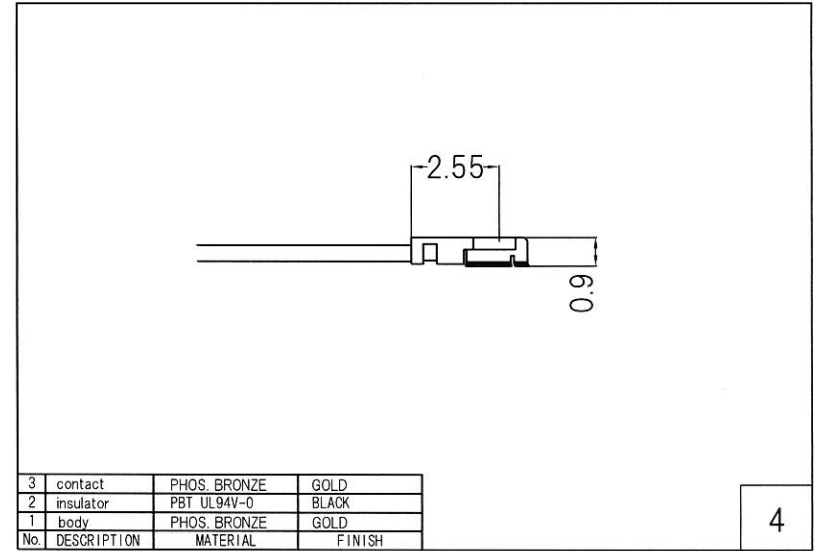
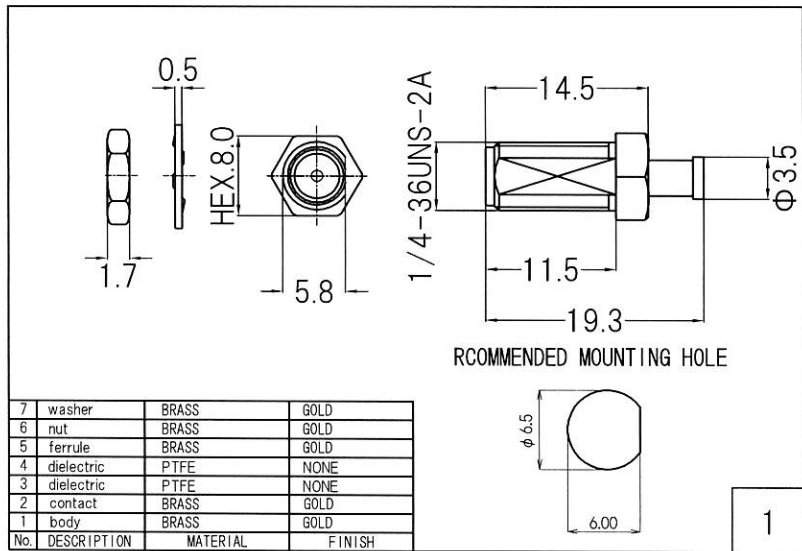


RoHS 2 Support



4	MHF 4 Plug	20448-001R-081
3	Coaxial Cable	$\phi 0.81$ Coaxial Cable
2	Heat Shrink Tube	B2 Type
1	SMA Jack	R-SMA-RSF-083G
No	TYPE	P/N

Drawn	Checked	Approved	Unte
Y.OE	Y.OE	NIKEO	mm
2018.5.5	2018.5.5	2018.5.5	A4
日本エレパーツ株式会社 NIHON ELEPARTS CO.,LTD.			
NAME			

HP Drawings		/-
R-SMAJG-MHF4-0.81B		
-L = $\times \times \times \times$		

This product is a possibility of change without notice.