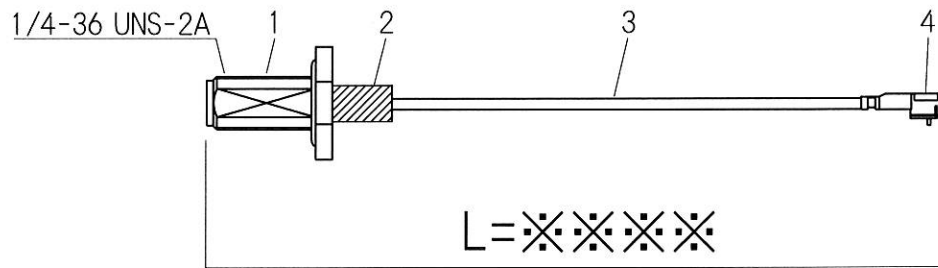
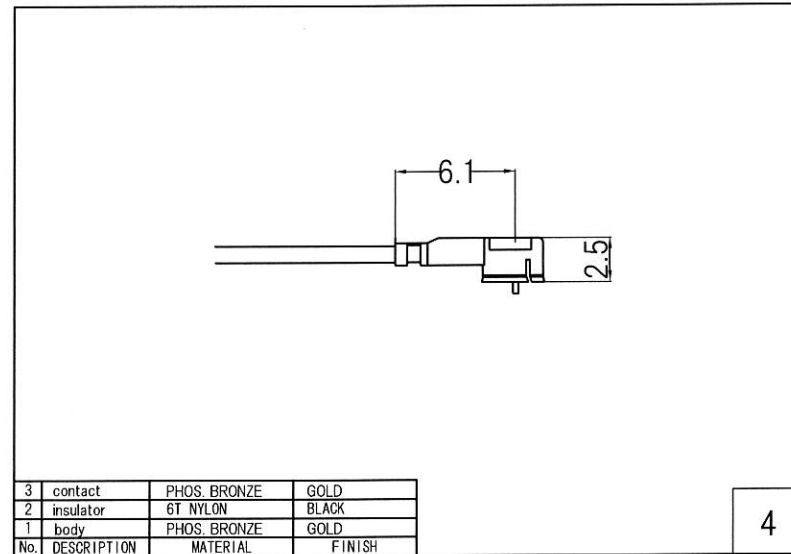
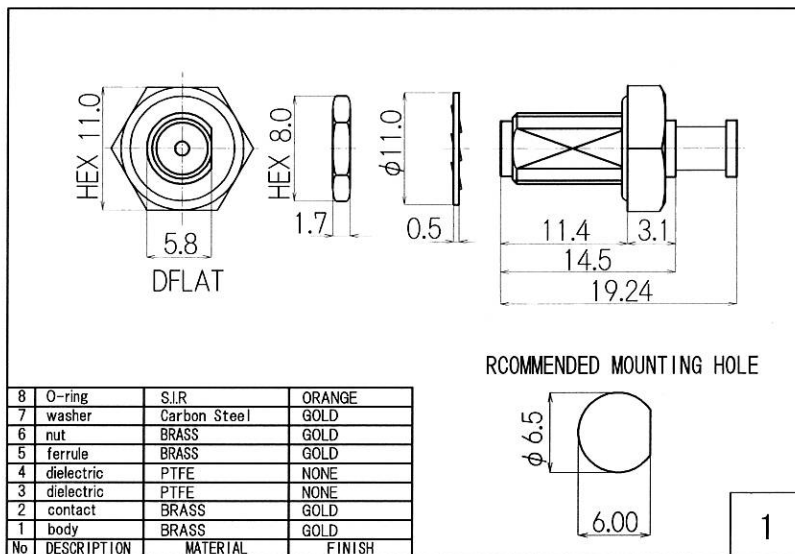


RoHS 2 Support

IP67 Product



No	TYPE	P/N
4	MS156C Plug	MS156C-LP-068
3	Coaxial Cable	$\phi 1.13$ Coaxial Cable
2	Heat Shrink Tube	B2 Type
1	SMA Jack	R-SMA-RSFB-066(Au)

Drawn	Checked	Approved	Unte
Y.OE	Y.OE	N.IKEO	mm
2018.5.5	2018.5.5	2018.5.5	A4
日本エレパーツ株式会社 NIHON ELEPARTS CO.,LTD.			

HP Drawings		NAME
R-SMAJBG-MS156CG		-L = $\times \times \times \times$

This product is a possibility of change without notice.