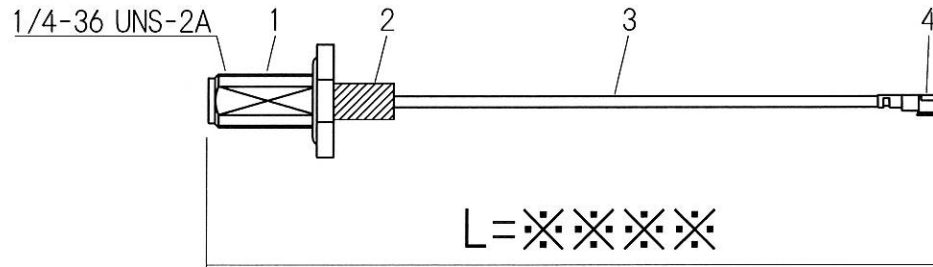
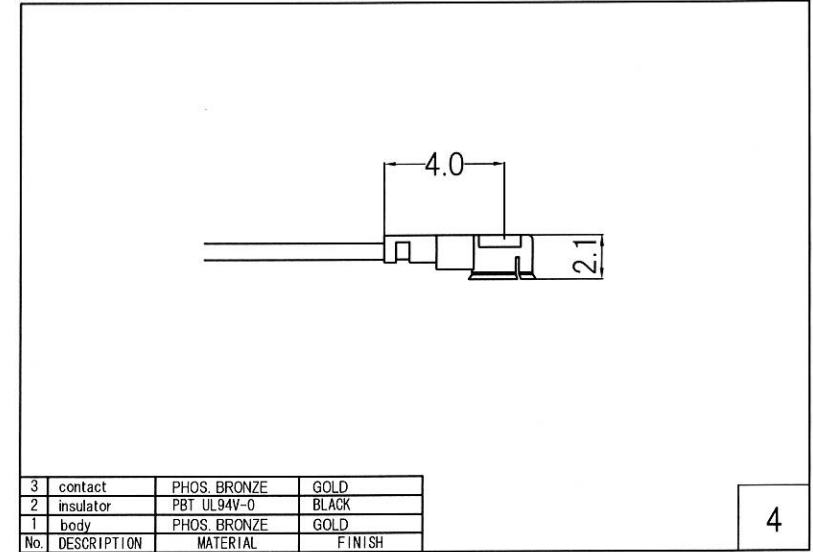
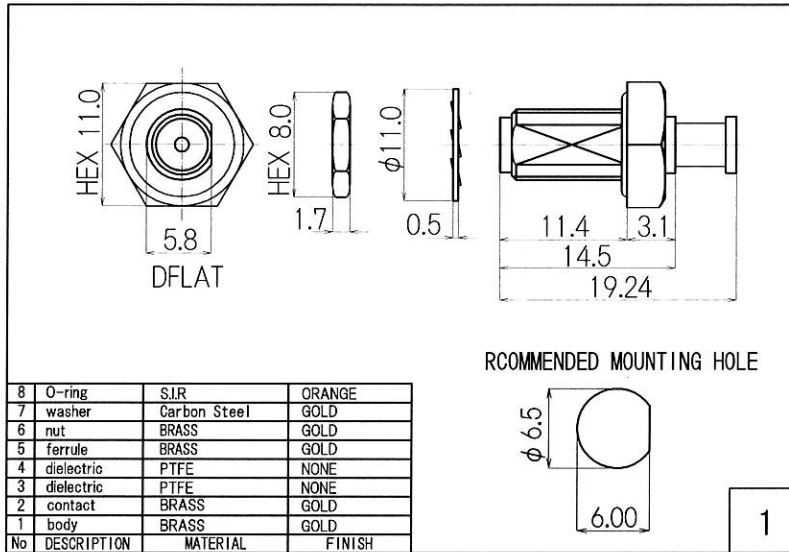


RoHS 2 Support

IP67 Product



4	MHF 1 Plug	20278-112R-32
3	Coaxial Cable	φ 1.32 Coaxial Cable
2	Heat Shrink Tube	B2 Type
1	SMA Jack	R-SMA-RSFB-066(Au)
No	TYPE	P/N

Drawn	Checked	Approved	Unte
Y.OE	Y.OE	NIKEO	mm
2018.5.5	2018.5.5	2018.5.5	A4

日本エレパーツ株式会社
NIHON ELEPARTS CO.,LTD.

HP Drawings

R-SMAJBG-MHF1.32B

-L = ※※※※

This product is a possibility of change without notice.