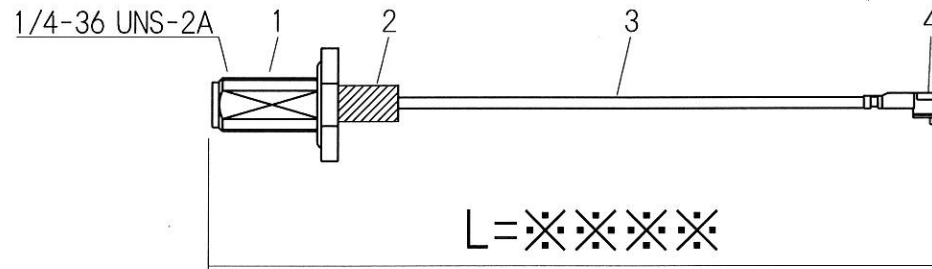
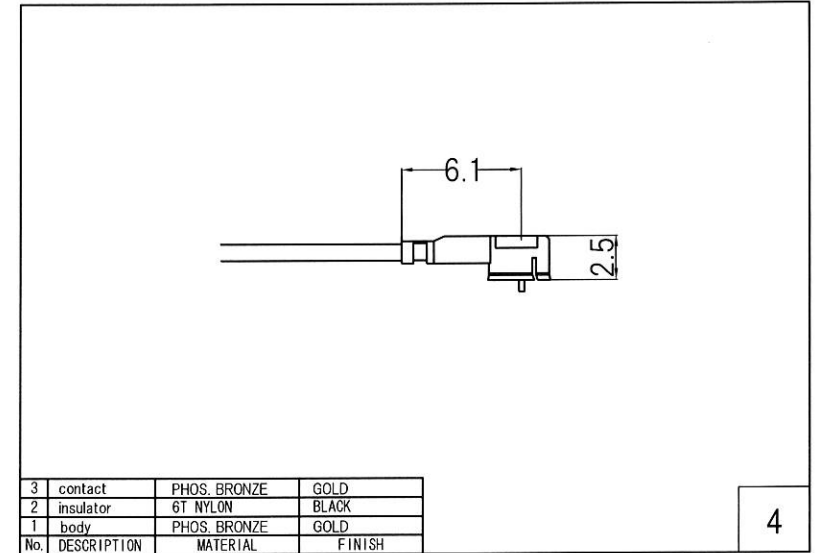
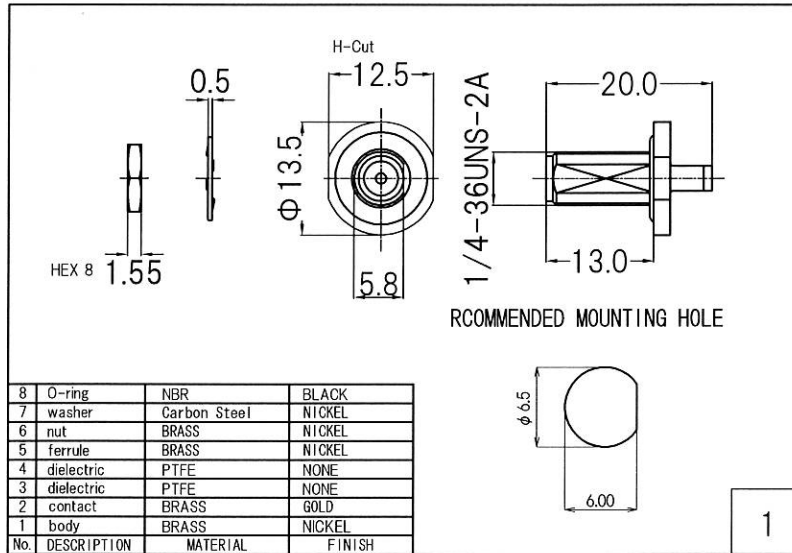


RoHS 2 Support

IP67 Product



4	MS156C Plug	MS156CLP-LP-068
3	Coaxial Cable	φ 1.13 Coaxial Cable
2	Heat Shrink Tube	B2 Type
1	SMA Jack	R-SMA-RSF-084
No.	TYPE	P/N

Drawn	Checked	Approved	Unte
Y.OE	Y.OE	N.IKEO	mm
2018.5.5	2018.5.5	2018.5.5	A4
日本エレパーツ株式会社 NIHON ELEPARTS CO.,LTD.			

HP Drawings		—/—
R-SMAJB-MS156CG		-L = ※※※※
NAME		

This product is a possibility of change without notice.