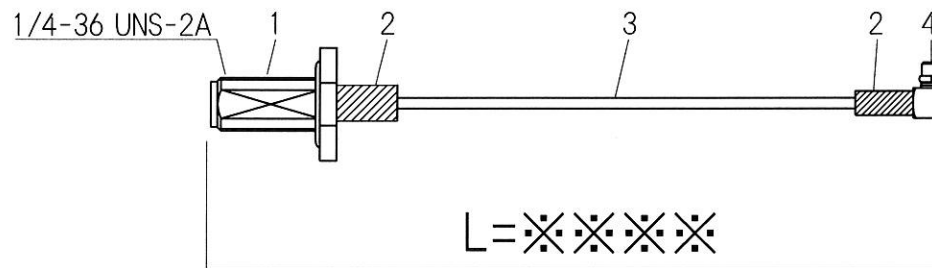
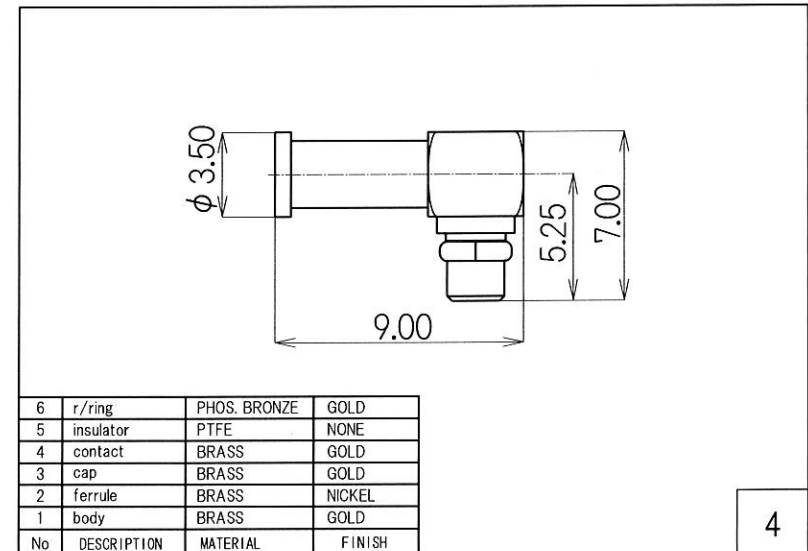
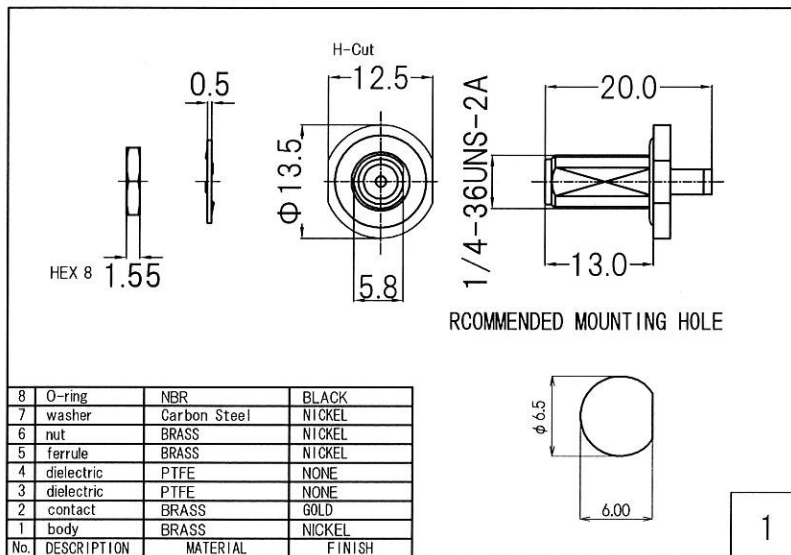


RoHS 2 Support

IP67 Product



4	MMCX Plug	MMCX-PL-1.32
3	Coaxial Cable	ϕ 1.32 Coaxial Cable
2	Heat Shrink Tube	B2 Type
1	SMA Jack	R-SMA-RSF-084
No.	TYPE	P/N

Drawn	Checked	Approved	Unte
Y.OE	Y.OE	N.IKEO	mm
2018.5.5	2018.5.5	2018.5.5	A4
日本エレパーツ株式会社 NIHON ELEPARTS CO.,LTD.			

HP Drawings		—/—
NAME	R-SMAJB-MMCXPL1.32B	
	-L = $\times \times \times \times$	

This product is a possibility of change without notice.