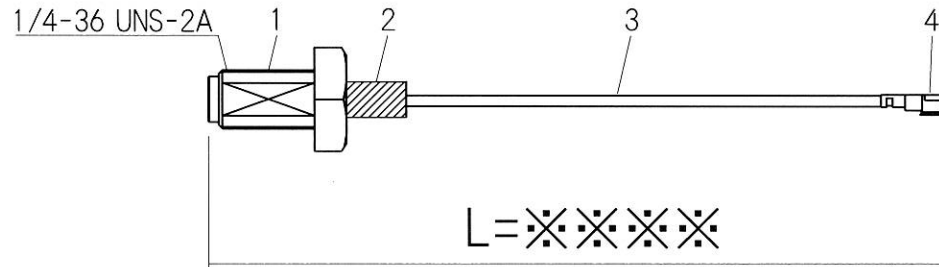
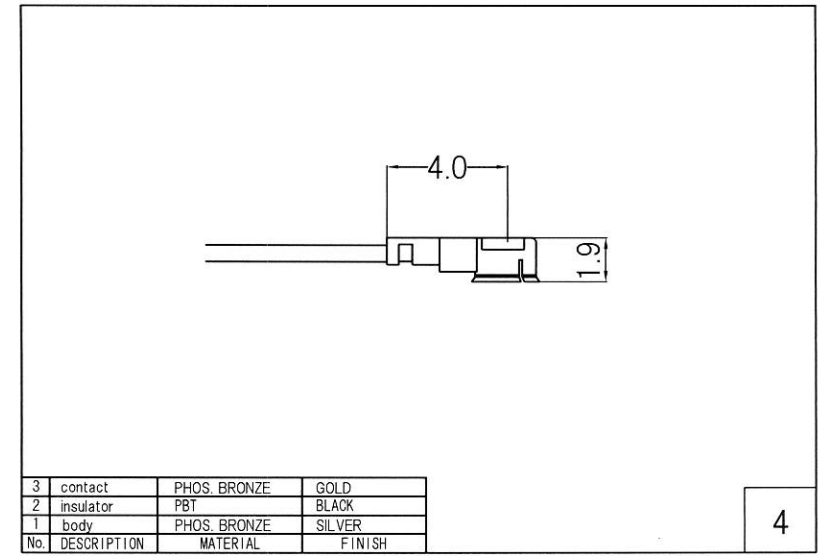
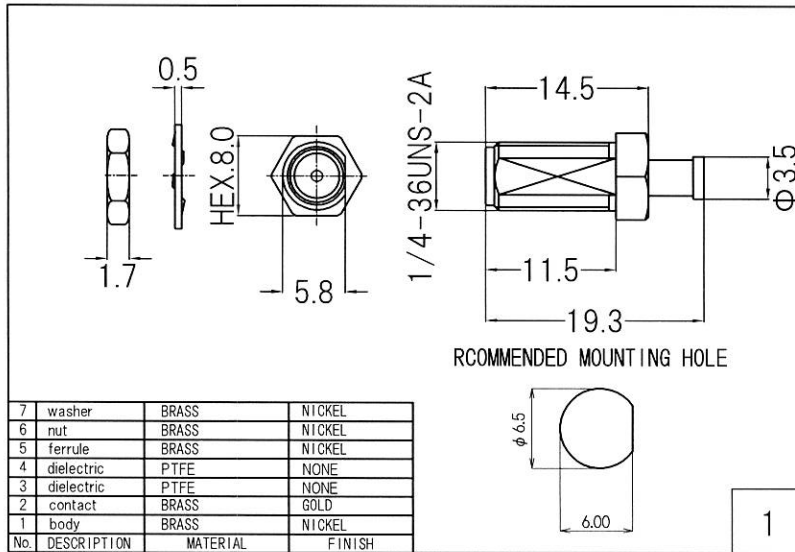


RoHS 2 Support



4	U.FL Plug	U.FL-LP-066
3	Coaxial Cable	φ 1.32 Coaxial Cable
2	Heat Shrink Tube	B2 Type
1	SMA Jack	R-SMA-RSF-083NI
No.	TYPE	P/N

Drawn	Checked	Approved	Unte
Y.OE	Y.OE	N.IKEO	mm
2018.5.5	2018.5.5	2018.5.5	A4
日本エレパーツ株式会社 NIHON ELEPARTS CO.,LTD.			NAME

HP Drawings

R-SMAJ-U.FL1.32B
-L = ※※※※

This product is a possibility of change without notice.