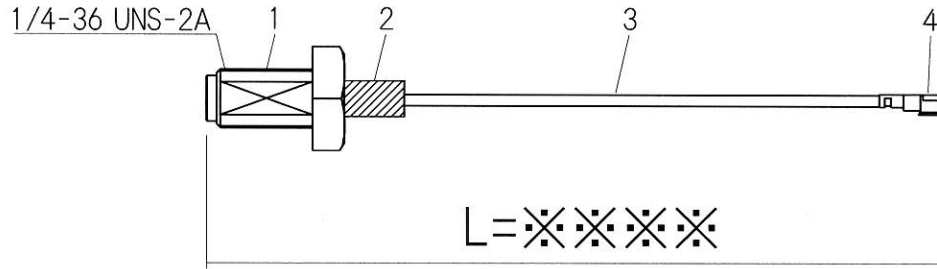
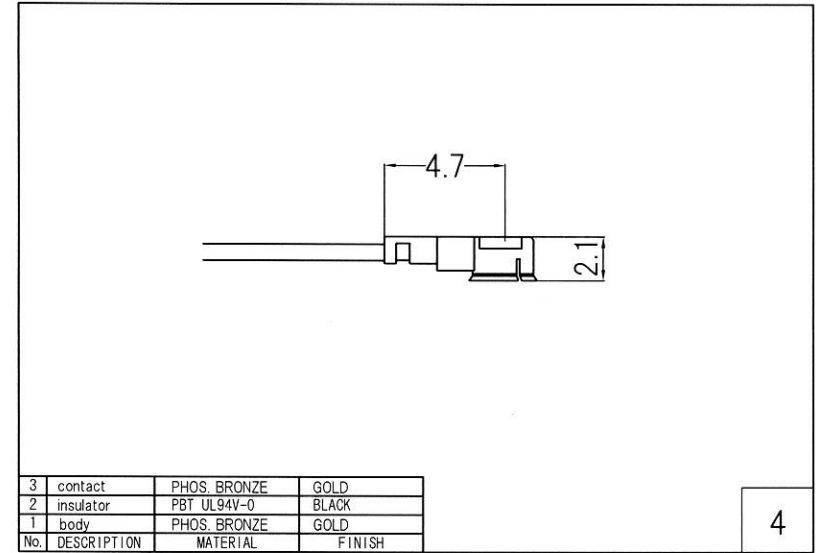
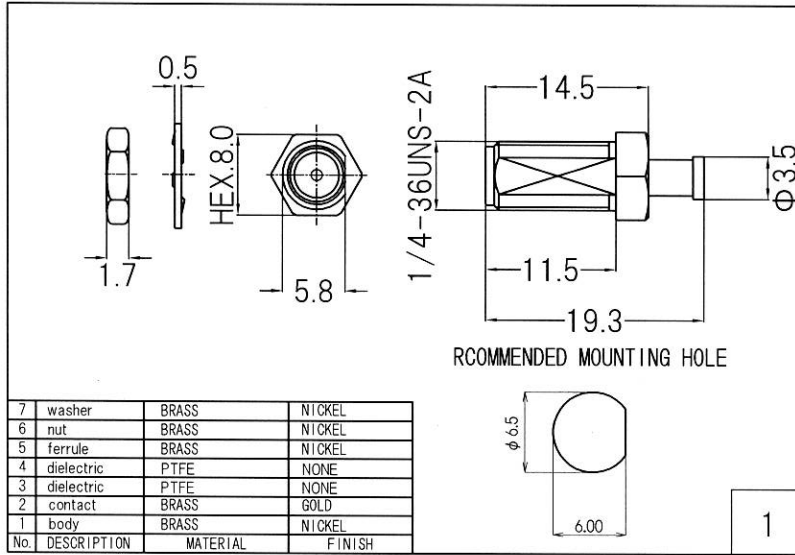


RoHS 2 Support



4	MHF 1 Plug	20351-112R-37
3	Coaxial Cable	ϕ 1.37 Coaxial Cable
2	Heat Shrink Tube	B2 Type
1	SMA Jack	R-SMA-RSF-083NI
No.	TYPE	P/N

Drawn	Checked	Approved	Unte
Y.OE	Y.OE	N.IKEO	mm
2018.5.5	2018.5.5	2018.5.5	A4
日本エレパーツ株式会社 NIHON ELEPARTS CO.,LTD.			NAME

HP Drawings		/-
R-SMAJ-MHF1.37B		-L = ※※※※

This product is a possibility of change without notice.